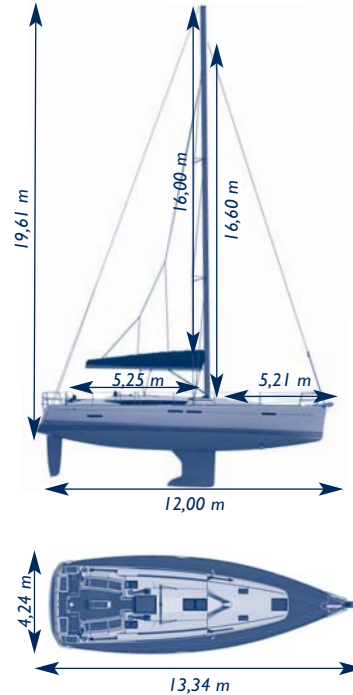
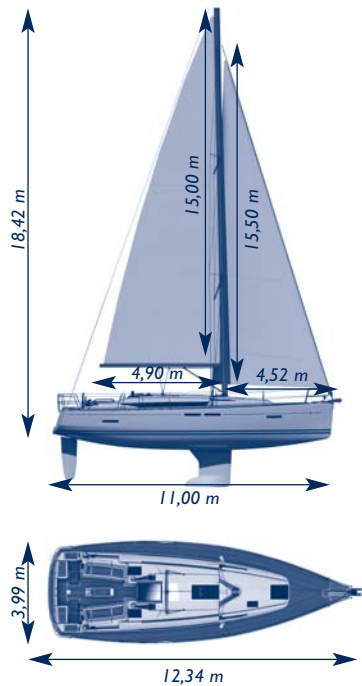


Model year 2011 SUN ODYSSEY

Sun Odyssey 409



Sun Odyssey 439



Certification conform with CE regulation.

| | | SO 409 | SO 439 |
|--|--|---------------------|---------------------|
| Specifications | Overall length | 12,34 m | 13,34 m |
| | Hull length | 11,98 m | 12,99 m |
| | Waterline length | 11,00 m | 12,00 m |
| | Beam | 3,99 m | 4,24 m |
| | Displacement <i>light load with deep draft keel</i> | 7450 kg | 9880 kg |
| | Standard draft <i>cast iron fin keel with elongated bulb and exterior epoxy barrier coat</i> | 2,10 m | 2,20 m |
| | Standard keel weight | 2260 kg | 2850 kg |
| | Shoal draft <i>cast iron fin keel with elongated bulb and exterior epoxy barrier coat</i> | 1,55 m | 1,60 m |
| | Shoal keel weight | 2470 kg | 2781 kg |
| | CE category (* in process) | A8 | A10* |
| | Architect / designer | P. Briand | P. Briand |
| | Water <i>2 rotomolded tanks located under forward and aft berths with separate deck fills</i> | 330 L + 200 L | 330 L + 200 L |
| | Fuel <i>rotomolded tank located under aft berth with deck fill</i> | 200 L | 200 L |
| | Holding tank <i>rotomolded tank located in head compartment with valve for overboard discharge via gravity and deck fitting for pump out</i> | 80 L | 80 L |
| Fridge <i>fridge compartment with vertical access</i> | 180 L | 180 L | |
| Sails | Classic mainsail <i>high-tenacity Dacron cloth, Rutgerson® stainless steel eyes, 2 auto reefs</i> | 42 m ² | 48 m ² |
| | Furling jib <i>106% high-tenacity Dacron cloth, Sunbrella® UV luff protection, Rutgerson® stainless steel eyes</i> | 35 m ² | 43,4 m ² |
| | Self-tacking jib <i>high-tenacity Dacron cloth, Sunbrella® UV luff protection, Rutgerson® stainless steel eyes, option includes track on deck</i> | 28 m ² | 36,3 m ² |
| | Performance Full Batten mainsail <i>Prestige series tri-radial with sandwich construction of double taffeta layers for form stability, 2 automatic reefs</i> | 45 m ² X | 50 m ² X |
| | Performance furling genoa <i>140% tri-radial Prestige series with sandwich constructions of double taffeta layers for form stability and Sunbrella® UV luff protection, Rutgerson® stainless steel eyes</i> | 48 m ² X | 57 m ² X |
| | Furling mainsail (optional) <i>high-tenacity Dacron cloth, Sunbrella® UV luff protection, Rutgerson® stainless steel eyes</i> | 36,5 m ² | 41 m ² |
| | Spinnaker <i>optimal size for boat (not available from Jeanneau)</i> | 120 m ² | 160 m ² |
| Total sail area <i>for standard mast and sails</i> | 78 m ² | 91,4 m ² | |

X Performance Plus Package * Navigation package ■ Standard □ Option - Not available

| | SO 409 | SO 439 | |
|--|---|------------|------------|
| Sail handling | Lazy bag in Sunbrella® Taupe fabric with integrated lazy jacks | ■ | ■ |
| | Genoa winches 2 x Harken 46.2 self-tailing winches | ■ | ■ |
| | Coachroof winch Harken 40.2 self-tailing winches to port | ■ | ■ |
| | Coachroof winch Harken 40.2 self-tailing winches to starboard | * | * |
| | Harken "Rewind" electric genoa winches 2 x 46.2 winches that can sheet-in and sheet-out electrically | □ | □ |
| | Electric coachroof winch 1 x Harken 40.2 12v self-tailing in place of standard winch to port | PREFERENCE | PREFERENCE |
| | Genoa tracks adjustable Harken lead cars located on coachroof | ■ | ■ |
| | Genoa tracks adjustable Harken lead cars with adjustment line lead aft to cockpit jammer (located on the side decks) | X | X |
| | Winch handles 2 x Harken handles with ball-bearing grip | ■ | ■ |
| | Mainsheet and genoa sheet lead back to helm station with Spinlock jammers | ■ | ■ |
| | Line jammers Spinlock, on both sides of coachroof with return blocks | ■ | ■ |
| | Mainsheet traveller roof-mounted traveller with ball-bearing cars, control lines lead aft to cockpit | ■ | ■ |
| | Spinnaker deck hardware double Spinlock jammer coachroof and single jammer near starboard helm | * | * |
| Asymmetrical spinnaker gear halyard, 2 sheets, tack line lead forward on deck, attachment point on stemhead fitting, Harken blocks | □ | □ | |
| Symmetrical spinnaker gear halyard, 2 sheets, 2 guys, pole uphaul and downhaul, spinnaker pole and adjustable car for mast, Harken blocks | □ | □ | |

| | | | |
|---|---|---|---|
| Mast and Rigging | Classic mast aluminium with double spreaders | ■ | ■ |
| | Standing rigging discontinuous 1x19 stainless steel wire | ■ | ■ |
| | Standing rigging discontinuous Dyform® stainless steel wire | X | X |
| | Backstay fixed, bridle | ■ | ■ |
| | Backstay adjustable via mechanical adjuster | * | * |
| | Genoa furler with double slot, attachment to stemhead fitting and furling line lead aft to port helm winch | ■ | ■ |
| | Running rigging polyester topping lift, mainsail halyard, genoa halyard, mainsheet, genoa sheets | ■ | ■ |
| | Running rigging Dyneema® mainsail halyard, genoa halyard, mainsheet, genoa sheets | X | X |
| Rigid boom vang with gas cylinder and control line lead aft to the cockpit | * | ■ | |

| | | | |
|--|--|---|---|
| Cockpit | Wood inlay on cockpit bench seating | ■ | ■ |
| | Wood cockpit floor inlay | □ | □ |
| | Wood side decks hand-laid wooden side decks | □ | □ |
| | Cockpit lockers 2 lockers under bench seats and 1 lazette locker under the port helm seat for technical access to steering system | ■ | ■ |
| | Liferaft locker located in dedicated compartment between helm seats | ■ | ■ |
| | Storage compartment for companionway door in forward section of liferaft locker | ■ | ■ |
| | Line lockers under helm seats for lines from the primary winches, location for deck fills, cockpit speakers and shorepower inlet | ■ | ■ |
| | Fold down swim platform with telescopic swim ladder | ■ | ■ |
| | Cockpit table folding table with storage, cup holders, stainless steel handrail, courtesy lighting, 12v plug | ■ | ■ |
| | Solid wood cockpit table with all the same functions of the standard table, but with wooden leaves and top Sunbrella® Taupe cover | □ | □ |
| | Gas locker located in lazette locker under starboard helm seat, room for 2 gas bottles with connection to gas system and cut-off valve under stove in the galley | ■ | ■ |
| | Wheels 2 leather-covered steering wheels with compasses at each steering position and stainless steel grabrails | ■ | ■ |
| | Black, composite steering wheels | X | X |
| | Emergency tiller delivered with the boat, chrome fitting in cockpit floor | ■ | ■ |
| | Steering wheel covers Sunbrella® Taupe with zips for easy removal | □ | □ |
| | Instrumentation dedicated space for instruments within easy reach of helm positions, room for GPS chartplotter mounted at aft end of cockpit table with easy viewing from each helm | ■ | ■ |
| | Engine controls throttle and engine control panel mounted at starboard helm, engine panel includes, RPM gauge, warning lights, ignition | ■ | ■ |
| Cockpit shower retractable hot and cold water shower with tap | PREMIERE | ■ | |
| Cockpit cushions Sunbrella® Taupe cushions for seating area with attachment clips | □ | □ | |
| Cockpit bimini Sunbrella® Taupe with stainless steel bows, retractable with storage cover | □ | □ | |
| Cockpit sprayhood wide Sunbrella® Taupe with vinyl windscreen with zip-out middle window for ventilation, retractable | □ | □ | |
| Anchor locker room for anchor and tackle, integrated windlass area, holder for windlass handle | ■ | ■ | |

| | | | |
|---|---|------------|------------|
| Deck Hardware | Bow pulpit open, stainless steel | ■ | ■ |
| | Stern pulpits stainless steel with flag holder, buoy bracket | ■ | ■ |
| | Outboard engine bracket mounted on stern pulpit | □ | □ |
| | Electric windlass Quick 1000W combination rope and chain, vertical-mounted in the anchor locker, hand-held remote, manual handle | PREMIERE | ■ |
| | Windlass control second windlass control mounted in cockpit with chain counter for easy, short-handed anchoring | □ | □ |
| | Anchor roller single stainless steel fitting | ■ | ■ |
| | Anchor roller double stainless steel fitting | PREMIERE | PREMIERE |
| | Anchoring kit Delta anchor 20kg with 32 meters of 10mm chain and 45 meters of 18mm line | □ | □ |
| | Lifelines double level of stainless steel lifelines, stainless steel stanchions | ■ | ■ |
| | Lifeline gates opening gates on each side | PREFERENCE | PREFERENCE |
| | Toerail and drainage for side deck | ■ | ■ |
| | Wood rubrail for hull protection | □ | □ |
| | Cleats 4 x stainless steel mooring cleats forward and aft | ■ | ■ |
| | Midship cleats 2 x stainless steel cleats placed on side deck | PREMIERE | PREMIERE |
| | Mooring kit 6 fenders and 4 docklines | □ | □ |
| Handrails sculpted, long wood handrails on coachroof for secure movement forward | ■ | ■ | |

X Performance Plus Package * Navigation package ■ Standard □ Option - Not available

| | | SO 409 | SO 439 |
|--|---|---|-------------|
| Construction | Deck Prisma Process® injected deck, ISO gelcoat surface, discontinuous balsa block coring | ■ | ■ |
| | Hull solid, hand-laid fibreglass, ISO gelcoat surface, protective barrier coat | ■ | ■ |
| | Structure 3 rd generation inner fibreglass grid, high-load zones cut out and relaminated, drainage system through structure, special emergency repair zone in keel area | ■ | ■ |
| Lighting | LED navigation lights and anchor light | PREMIERE | PREMIERE |
| | Flush mounted LED chromed brass ceiling lights in saloon, head compartments and cabins | ■ | ■ |
| | Leather-wrapped LED reading lights in forward cabin and aft cabin (s) | ■ | ■ |
| | Indirect halogen lighting under side decks in saloon and head compartments | ■ | ■ |
| | Indirect LED lighting under furniture in saloon | PREFERENCE | PREFERENCE |
| | Gooseneck chart light mounted at nav station | ■ | ■ |
| Electrical | 12 v alternator output | 80 A | 80 A |
| | Charge distributor/isolator | ■ | ■ |
| | Engine start battery capacity, batteries located under aft berths | 110 Ah | 110 Ah |
| | Domestic battery bank capacity, batteries located under aft berths | 220 Ah | 220 Ah |
| | Extra 110 Ah domestic battery | 2x PREMIERE | 2x PREMIERE |
| | Positive battery switch for engine and domestic bank and general cut-off switch mounted on panel in aft cabin | ■ | ■ |
| | Shorepower 230 v inlet with differential breaker, one 230 v plug per cabin, 230v plug in galley, saloon and nav station | PREMIERE | ■ |
| | 60 A battery charger, multi-phase | PREMIERE | PREMIERE |
| | Inverter 1800 W 12v / 230v | - | □ |
| | Electrical panel with 12v breakers, 230v breakers, 12v ammeter, 12v consumption meter, 12v charging meter | ■ | ■ |
| | Solar panels on coachroof 2 x 45W with charging relay | □ | □ |
| | 12 v plug per cabin and at nav station | ■ | ■ |
| | 230 v stainless steel microwave, installed in galley cabinet | □ | □ |
| | Plumbing | Hot and cold pressurised water distributed through-out the boat via semi-rigid hose | ■ |
| "Heavy-duty" water pump and accumulator tank for consistent water pressure | | ■ | ■ |
| 40 litre hot water tank that is connected to engine heat exchanger and to 230 v electrical system | | ■ | ■ |
| Chromed shower faucets in washrooms | | ■ | ■ |
| Electric bilge pump on float switch and manual dual-action pump in the cockpit | | ■ | ■ |
| Extra fresh water tank 200L located under aft starboard berth | | □ | PREMIERE |
| Digital water level display | | ■ | ■ |
| Shower sumps equipped with individual electric pumps with filters and on-off switches | | ■ | ■ |
| Large manual pump marine toilets | | ■ | ■ |
| Electric Quiet-Flush toilets in place of standard, available for each head compartment | | □ | □ |
| 80 litre holding tank with gravity drain and deck fitting for forward starboard head (port aft head equipped with standard 85L tank) | | □ | □ |
| Engine and Steering | Yanmar 3JH5-CE 40 HP , 29.4 Kw Sail Drive latest generation of environmentally friendly engines | ■ | - |
| | Yanmar 4JH5-CE 54 HP , 39.6 Kw Sail Drive latest generation of environmentally friendly engines | - | ■ |
| | Fully soundproofed engine compartment with engine access behind stairwell and from aft cabin | ■ | ■ |
| | Fuel / water separator | ■ | ■ |
| | Built-in muffler, forced air ventilation and stainless steel exhaust fitting aft | ■ | ■ |
| | Fixed 3-blade propeller | ■ | ■ |
| | Folding propeller, 3-blade, Flex-o-Fold | ✗ | ✗ |
| | Bow thruster 9.5hp/7.1kw installed in a tunnel with dedicated batteries | □ | □ |
| Fibreglass rudder | ■ | ■ | |
| Comfort features and options | Fixed hull ports with track-mounted curtains and shades | 8 | 8 |
| | Opening cockpit and roof ports | 2 | 2 |
| | Lateral fixed windows | 6 | 6 |
| | Opening ports integrated into lateral windows | 2 | 2 |
| | Opening deck hatches | 6 | 7 |
| | Combination shade/insect screens for deck hatches | PREMIERE | PREMIERE |
| | CD/radio/MP3 player in saloon | PREFERENCE | PREMIERE |
| | BOSE® 2.1 speaker system ACCOUSTIMASS 3, speakers with base unit in saloon | - | PREMIERE |
| | Saloon stereo speakers x 2 | PREFERENCE | - |
| | Cockpit speakers x 2, watertight | PREFERENCE | PREMIERE |
| | TV LCD 20" mounted on an articulating arm on main saloon bulkhead to port of the forward cabin doorway and DVD player | □ | □ |
| | Amplified antenna for TV for masthead mounting | □ | □ |
| | Air Conditioning 230 v 24000 BTU 2 units installed under saloon seating and in stern, vents in saloon, head compartments and forward and aft cabins control panel and thermostat | □ | - |
| | Air Conditioning 230 v 32000 BTU 1 unit installed in the stern, 1 unit installed in the saloon and 1 unit installed in the forward cabin, vents in saloon, head compartments and forward and aft cabins control panel and thermostat | - | □ |
| | Forced air heating 1 unit 5500 BTU Webasto® diesel heater installed in stern, vents in aft cabin, saloon and head compartments | □ | □ |
| Forced air heating 1 unit 5500 BTU + 1 unit 2000BTU Webasto® diesel heater installed in stern, vents in aft cabin, saloon and head compartments (only for the 4 cabins version) | - | □ | |

✗ Performance Plus Package * Navigation package ■ Standard □ Option - Not available

| | | SO 409 | | | SO 439 | |
|---|--|---|-----------------|-----------------|-----------------|-----------------|
| | | 2C/1H | 3C/1H | 3C/2H | 3C/2H | 4C/2H |
| Wood | Fine Teak® interior laminated panels with solid wood trim around galley, companionway and cabinetry, finished in satin UV stabilised varnish | ■ | ■ | ■ | ■ | ■ |
| | Laminate floorboards with light-coloured lines, varnished edges | ■ | ■ | ■ | ■ | ■ |
| | Laminate floorboards in an oak finish, varnished edges | □ | □ | □ | □ | □ |
| Forward cabin | Forward owner's cabin with central berth and storage forward of the berth | ■ | ■ | ■ | ■ | - |
| | Double berth, with wood trim, high-density foam mattress | 2,10 x 2,00 m | 2,10 x 2,00 m | 2,10 x 2,00 m | 2,14 x 2,00 m | - |
| | Deep cabinet with shelves and hanging rod | 2 | 2 | 1 | 1 | - |
| | White vinyl lining on hull with lateral wood shelf | ■ | ■ | ■ | ■ | - |
| | Desk/vanity with leatherette lining and fold-up mirror, reading light and chair with backrest | □ | □ | - | ■ | - |
| | Private forward head compartment with sink, clothes hook, mirror, towel holder, toilet paper holder, cabinet above sink and electric drainage pump | - | - | ■ | ■ | - |
| | Plexiglass folding door for separate shower compartment | - | - | - | PREMIERE | - |
| | Double forward cabins with 2 single bunk berths and forward V-berth | - | - | - | - | ■ |
| | Double berth with wood trim, high-density foam mattress | - | - | - | - | 2,14 x 2,00 m |
| | Twin single bunks in separate cabin with storage locker | - | - | - | - | 2,11 x 0,70 m |
| | Deep cabinet with shelves and hanging rod | - | - | - | - | ■ |
| | White vinyl lining on hull with lateral wood shelf | - | - | - | - | ■ |
| | Forward head compartment with sink, clothes hook, mirror, towel holder, toilet paper holder, cabinet above sink and electric drainage pump | - | - | - | - | ■ |
| | Plexiglass folding door for separate shower compartment | - | - | - | - | PREMIERE |
| | Aft cabin | Aft owner's cabin with access to starboard and large berth | ■ | - | - | - |
| Double berth with high-density foam mattress | | 2,00 m x 1,78 m | - | - | - | - |
| Deep cabinet with shelves and hanging rod | | ■ | - | - | - | - |
| White vinyl lining on hull with lateral wood shelf | | ■ | - | - | - | - |
| Large head compartment aft with sink, clothes hook, mirror, towel holder, toilet paper holder, cabinet above sink and electric drainage pump | | ■ | - | - | - | - |
| Plexiglass folding door for separate shower compartment | | PREMIERE | - | - | - | - |
| Locker and technical compartment with access through head compartment, storage baskets, lighting and lots of extra space for storage under the exterior cockpit locker | | ■ | - | - | - | - |
| Twin aft cabins | | - | ■ | ■ | ■ | ■ |
| Double berths, high-density foam | | - | 2,00 m x 1,57 m | 2,00 m x 1,57 m | 2,00 m x 1,60 m | 2,00 m x 1,60 m |
| Deep cabinet with shelves and hanging rod per cabin | | - | ■ | ■ | ■ | ■ |
| White vinyl lining on hull with lateral wood shelf | | - | ■ | ■ | ■ | ■ |
| Head compartment aft with sink, separate shower, clothes hook, mirror, towel holder, toilet paper holder, cabinet above sink, electric drainage pump, access from saloon | | - | ■ | ■ | ■ | ■ |
| Plexiglass folding door for separate shower compartment | - | PREMIERE | PREMIERE | PREMIERE | PREMIERE | |
| Navigation station | Navigation station full-function with general electrical panel, room for the latest in GPS chartplotters and bookshelf | ■ | ■ | ■ | ■ | ■ |
| | Central nav desk with leatherette lining and interior storage | ■ | ■ | ■ | ■ | ■ |
| Saloon | Saloon with U-shaped seating area to starboard, wrap-around cushions and storage under seating area | ■ | ■ | ■ | ■ | ■ |
| | Saloon dining table with wood fiddles, removable pedestal legs | ■ | ■ | ■ | ■ | ■ |
| | Luxury salon table with central bar unit, folding top, and sliding tracks to transform into double berth | PREFERENCE | PREFERENCE | PREFERENCE | PREFERENCE | PREFERENCE |
| | Storage cabinets along hull sides | ■ | ■ | ■ | ■ | ■ |
| | Lounge seating to port with plush cushions and upper storage cabinets | ■ | ■ | ■ | ■ | ■ |
| | 2 removable stools for saloon with tie-down kit | □ | □ | □ | □ | □ |
| | Companionway with wood steps and non-slip strips | ■ | ■ | ■ | ■ | ■ |
| Plexiglass companionway door with dedicated storage location | ■ | ■ | ■ | ■ | ■ | |
| Galley | Galley with double stainless steel sinks with covers, and reversible cutting board, solid countertops, chrome plumbing fittings, storage cabinets and drawers | ■ | ■ | ■ | ■ | ■ |
| | L-galley to port with glass separator between galley counter and seating area | ■ | ■ | ■ | ■ | ■ |
| | Leatherette lined storage compartment for books and magazines built into the galley façade | ■ | ■ | ■ | ■ | ■ |
| | Gimballed 2-burner stove with oven with stainless steel protection bar | ■ | ■ | ■ | ■ | ■ |
| | Luxury 2-burner stove with black finish, wood handle, stainless steel oven/broiler | PREMIERE | PREMIERE | PREMIERE | PREMIERE | PREMIERE |
| | Single fridge box with freezer area, wire baskets, 12v refrigeration and integrated compressor | ■ | ■ | ■ | ■ | ■ |
| Headroom | Forward cabin | | 1,84 m | | 1,88 m | |
| | Aft cabin (s) | | 1,95 m | | 1,97 m | |
| | Companionway | | 1,94 m | | 1,97 m | |
| | Saloon | | 1,92 m | | 1,96 m | |
| | Galley | | 1,91 m | | 1,95 m | |

■ Standard □ Option - Not available C = Cabins H = Head



JEANNEAU

Ets JEANNEAU - BP 529 - 85505 LES HERBIERS CEDEX - FRANCE - TEL +33 (0)2 51 64 20 20 - FAX +33 (0)2 51 67 37 65

INTERNET : <http://www.jeanneau.com>

